

## COMFORTMOUNT

Innovative Comfortmount for off-highway machine's cabins

High comfort

Interchangeable with existing solutions

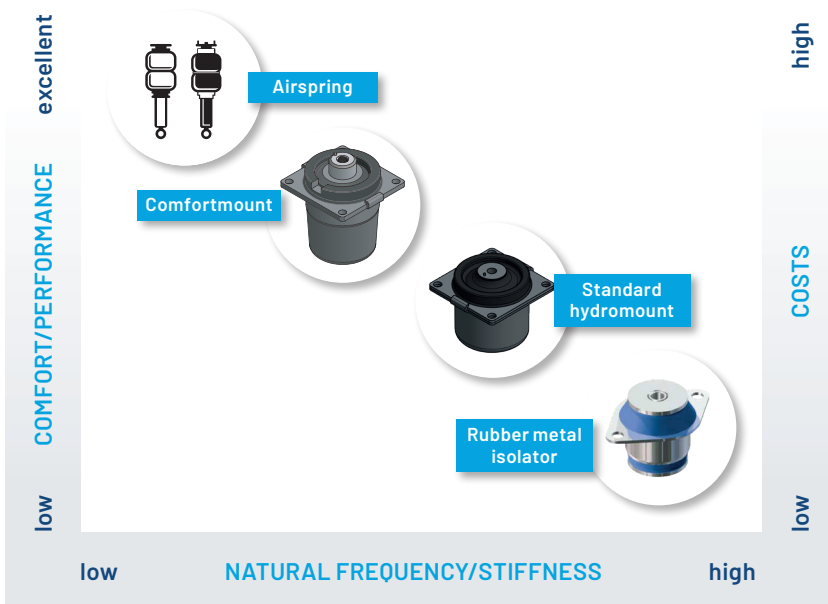
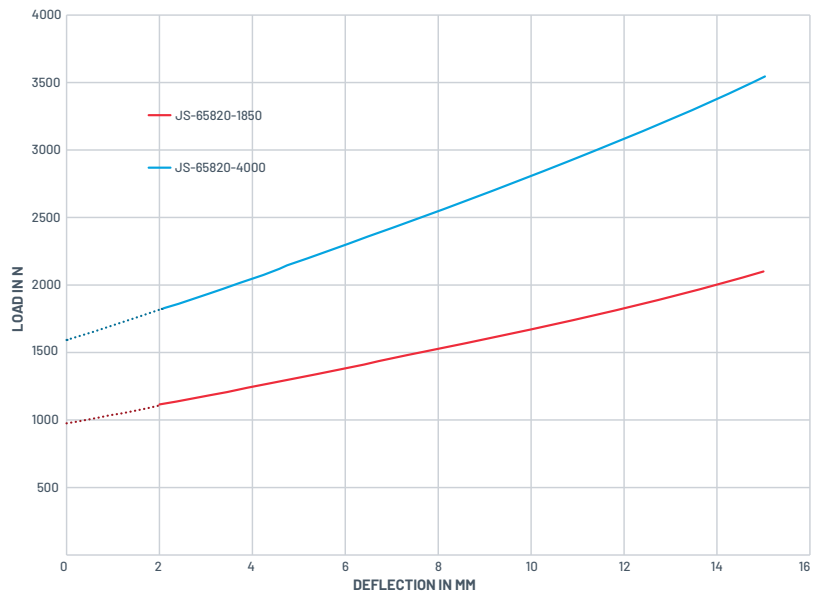
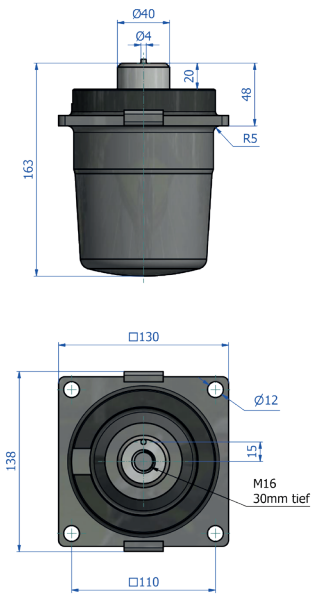
Fail-safe solution (ROPS suitable)



- High request for more and better comfort for drivers/ machine operators
- Increasingly stringent legal requirements (BlmSchG)
- As few changes as possible to the existing design

- Ideally 100% replacement to the current solutions
- No additional parts to be installed (rigid struts, stabilizers, ...)
- Great added value through low additional costs

# COMFORTMOUNT JS65820



## FEATURES COMFORTMOUNT:

- Large stroke – up to 20mm
- Low stiffness (4-5 times softer than standard hydromount)
- High comfort due to low stiffness
- High added value with little additional costs
- Interchangeable
- Suitable for harsh Environments
- Fail-safe solution

### Fabreeka GmbH Germany

Hessenring 13  
64572 Büttelborn  
Germany

T +49 6152 - 9597-0

info@fabreeka.de  
www.fabreeka.de

QR code takes you to our  
International Locations



**in** @fabreeka\_international  
**f** @fabreeka\_international